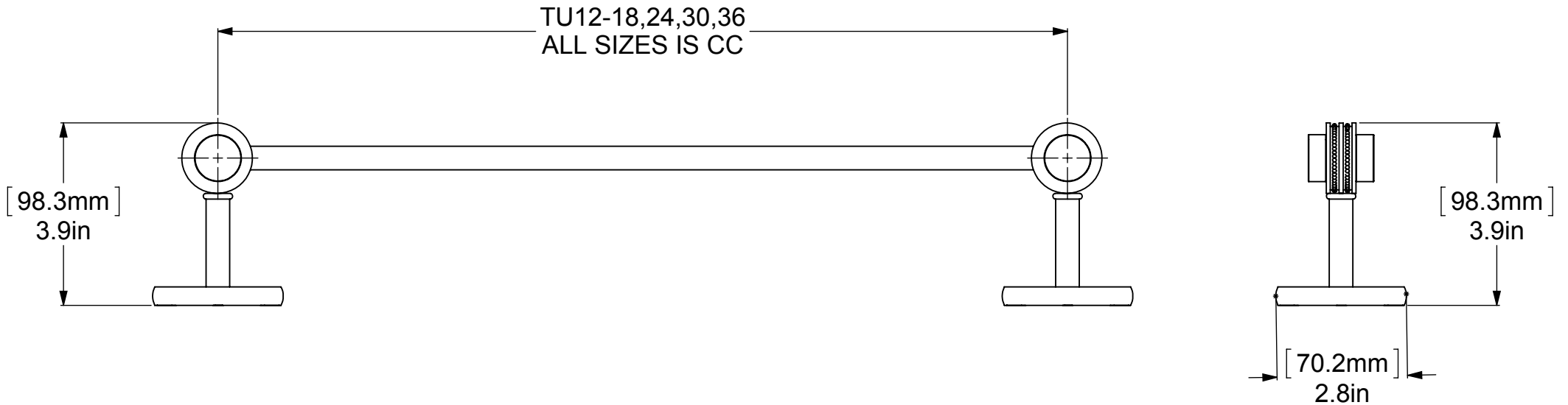
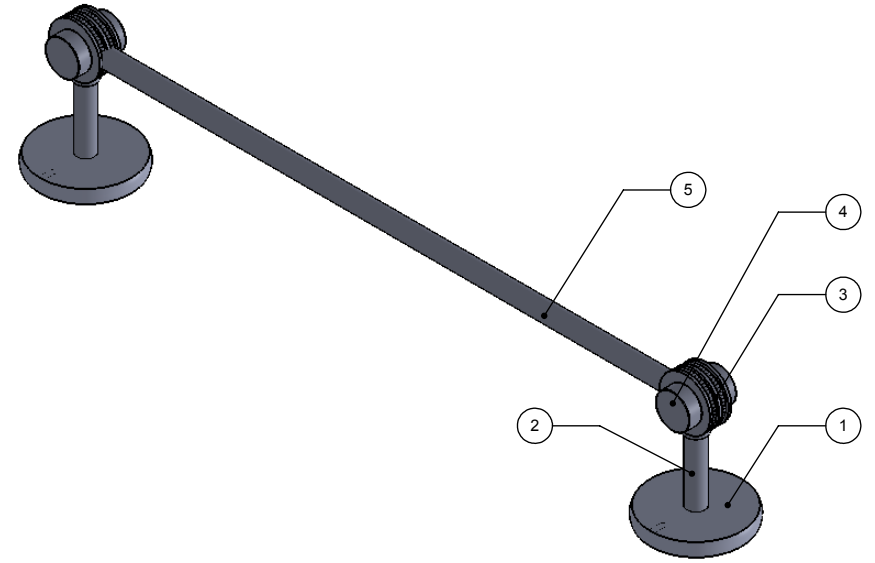


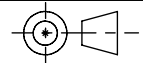
1	BPRD	BACKPLATE	2
2	TU12-2	SUPPORT	2
3	RGDTZ	HUB	2
4	CARD-1	END CAP	4
5	TU12-18,24,30,36	TUBE	2



UNLESS OTHERWISE STATED

.X	±.3mm
.XX	±.15mm
.XXX	±.008mm

COPYRIGHT © Allied Brass 2016



THIRD ANGLE PROJECTION

DRAWN	3/30/2016	I.M
CHECKED	3/30/2016	P.D
APPROVED	3/30/2016	R.A

MATERIAL:	BRASS
DESCRIPTION:	TOWEL BAR

FINISH	TBD
QUANTITY	TBD
DRAWING No.	7131D
REV	0
SCALE	1:3
SHEET: 01	A4